

Power Solutions for Mission Critical Industries



Proven, Intelligent, Efficient, Continuous

Mission critical industries and networks such as defense forces, emergency services and mission critical businesses have always needed continuous operations. With 5G, these mission critical systems will use the deployment of mass IoT devices to extend their reach and provide smart, autonomous control and operations. Reliable, uninterrupted power supply is a fundamental in being able to provide this continuous operation.

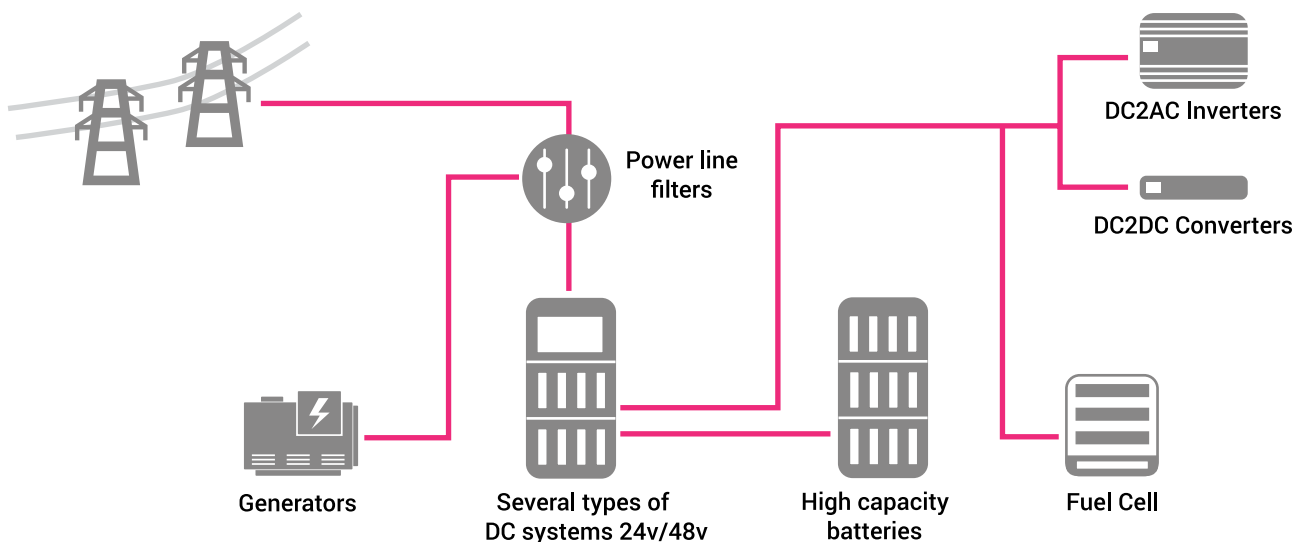
Ribbon has been providing these mission critical solutions into 100s of customer networks for over 50 years. With this experience we have developed field hardened, turnkey solutions and processes that allow customers to have a solution tailor-made to meet their specific requirements. A key component of these turnkey solutions are our power solutions. Using our expertise and experience we are able to help guide you in selecting, deploying and maintaining a tailor-made power solution specific for your needs today, but flexible enough to evolve as your power needs change.

**Taylor-made
Flexibility**

**Reliable and
Stable**

**Clean and
Green**

**Secure and
Managed**



Meeting the Needs of Today's Increasing Power Demands

Your Need	Our Solutions
Taylor-made flexibility	State of the Art Power Systems for suppling 24V/48V High efficiency solutions, tailor-made to meet your demands: <ul style="list-style-type: none">• Continuous power supply systems.• Real time and alarms (SNMP v3, dry contact, Modbus and more).• N+1 protection configurations .• 48v to 24v or 48v to 24v converters.• Hot-swappable modules.• AC backup solution.
Reliable and Stable	Customizable options to meet your back-up needs Multiple back-up options: <ul style="list-style-type: none">• Lead Acid Batteries in several sizes.• Lithium ion Battery systems.• High Capacity Battery solutions in less space.• Backup Generators 48V/120V/220V.
Clean and Green	Fuel Cell Systems Methanol/Hydrogen based solutions provide a new reality for providing green energy: <ul style="list-style-type: none">• Compact footprint.• Scalable systems up to 100kw.• Clean and quiet.• Simple.• Low-cost maintenance.
Secure and managed	Maintain Red/Black separation- protect your sensitive data Filter a wider range of available frequencies: <ul style="list-style-type: none">• 100dB Insertion loss performance from 14KHz to 40GHz.• AC/DC Filters.• 2pole/4pole.• Highest level of certified filters: UL, CE, TUV, MIL-STD and more. End-to-End Site maagement solutions: <ul style="list-style-type: none">• Remote monitoring .• Integrated to Ribbon's NMS - LightSOFT.• Supporting high number of sensors (fire alarms, door sensors,).

About Ribbon

Ribbon Communications (Nasdaq: RBBN) delivers communications software, IP and optical networking solutions to service providers, enterprises and critical infrastructure sectors globally. We engage deeply with our customers, helping them modernize their networks for improved competitive positioning and business outcomes in today's smart, always-on and data-hungry world. Our innovative, end-to-end solutions portfolio delivers unparalleled scale, performance, and agility, including core to edge software-centric solutions, cloud-native offers, leading-edge security and analytics tools, along with IP and optical networking solutions for 5G. We maintain a keen focus on our commitments to Environmental, Social and Governance (ESG) matters, offering an annual Sustainability Report to our stakeholders. To learn more about Ribbon visit rbbn.com.

Contact Us

Contact us to learn more about Ribbon solutions.