

# Apollo Alien Wavelengths 100G to 1.2T

## Fulfill coherent optical transport needs rapidly and economically

Are your existing vendors unable to meet your needs for new coherent optical transport links, perhaps due to challenges with specifications, economics, or even timely supply?

Ribbon can rescue the situation.

Ribbon offers a broad range of coherent alien wavelengths solutions, from 100G to 1.2T, with field-proven operation over third-party optical line systems (OLS), and options for layer 1 optical encryption.

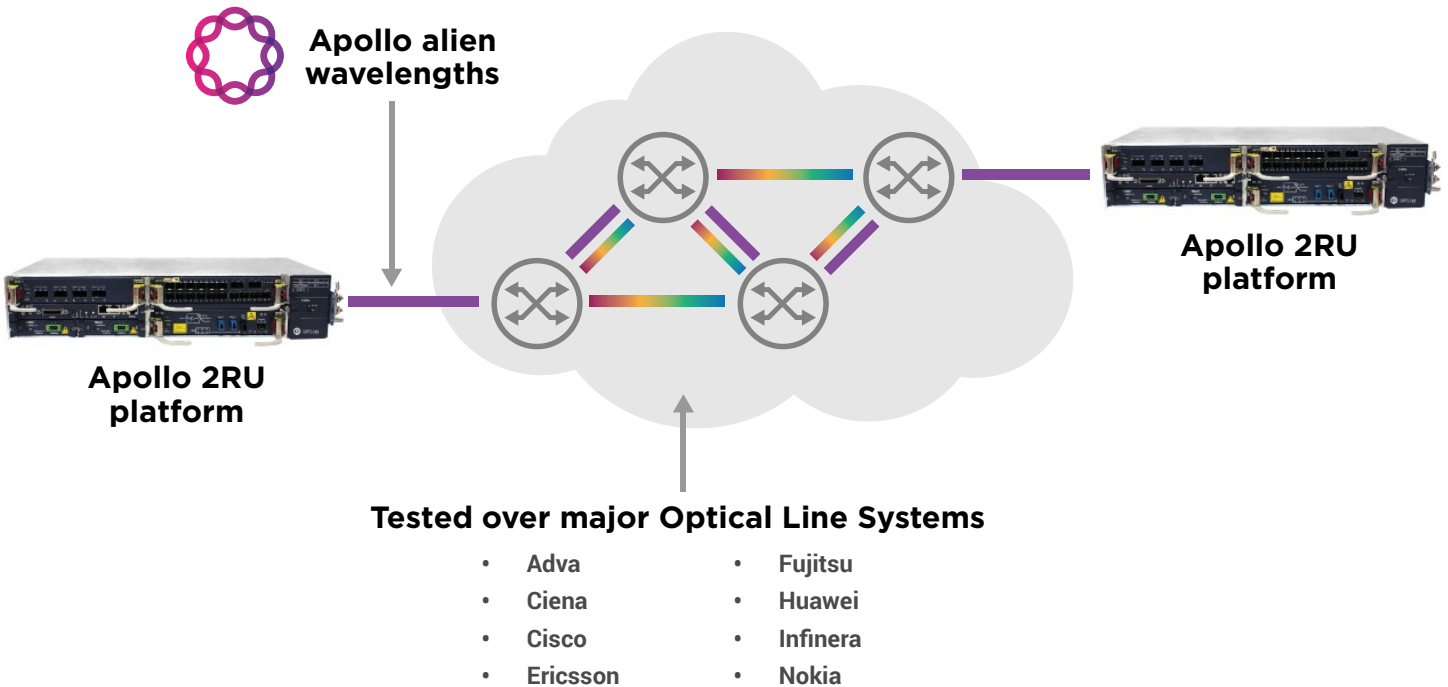
All alien wavelength solutions can be packaged in compact 2RU platforms with -48VDC or AC power, and are controllable via an EMS or through standard OpenConfig interfaces. Larger platforms are also available when many wavelengths are required.

**Proven Operation  
over Multiple OLS**

**Tens to Thousands  
of Kilometers**

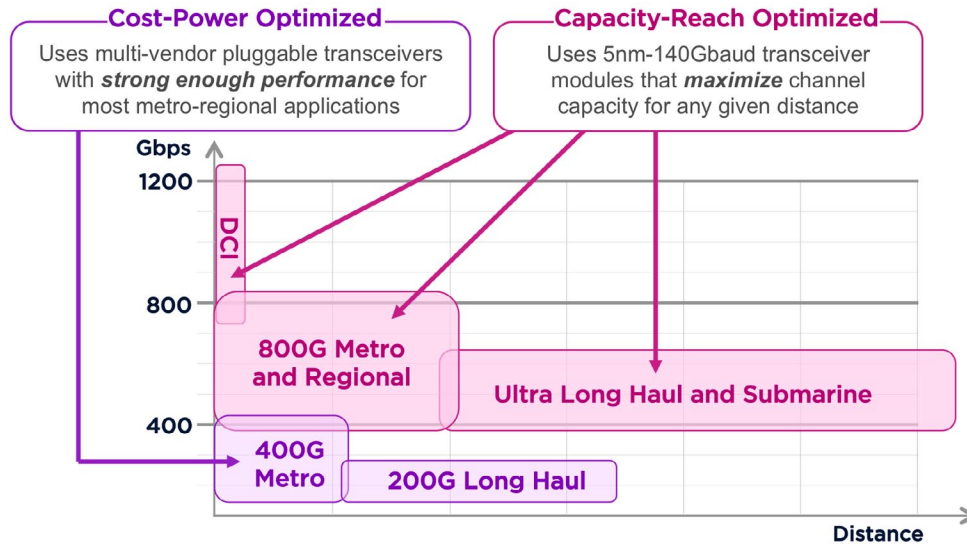
**Pluggability for  
Pay-as-You-Grow**

**OpenConfig or  
EMS Control**



## Alien Wavelengths Solutions for all Applications

Based on the Apollo optical networking system with hundreds of thousands of wavelengths deployed, Ribbon supports three categories of coherent alien wavelength solution.



### High Performance Capacity-Reach Optimized



These wavelengths use high performance transceivers with programmable baud rates up to 140Gbaud and continuous modulation, which maximize line rates for any distance and channel width. Apollo uniquely uses pluggable high performance line interfaces enabling smooth and economical pay-as-you-grow alien wavelength deployment.

### Metro Power-Cost Optimized



These wavelengths combine low electrical power and ultra-compact size with strong enough performance for most metro applications. They use multisource pluggable transceivers, including interoperable 400GZR+ models that comply with the OpenROADM MSA. Here too, use of pluggable line interfaces enables smooth and economical pay-as-you-grow alien wavelength deployment.

### Multiservice Aggregation with Encryption



These solutions multiplex multiple types of client interfaces onto a single wavelength, and can optionally perform service-selective layer 1 optical encryption. They also use multisource pluggable transceivers.

Application	Apollo 9400 High Density Platform	Apollo 9600 Tailorable Platforms	Coherent Line Rates	Client Interfaces
High Performance Capacity-Reach Optimized	MPJ1200_2	TM800_2	400G to 1.2T	100GbE 400GbE
Metro Power-Cost Optimized	MPQ_8	TM400_2 TR200_2	100G to 400G	100GbE 400GbE
Multi-Service with Optional Encryption		CMR200 TM400EN	100G to 400G	10/25/100GbE To Fibre Channel 64 To STM-64/OC-192 OTU2/e, OTU4

### Summary of Ribbon Coherent Alien Wavelength Solutions

[Get a Quote](#)

Contact us to get a customized Alien Wavelength quote.